

Dati tecnici / Technical data											
Modello Model		KC12P/44	KC12A/44	KC14P/44	KC14A/44	KC14P/54	KC14A/54	KC20P/44	KC20A/44	KC20P/55	KC20A/55
Tensione aliment Supply voltage	V	220	220	220	220	220	220	220	220	220	220
Frequenza di rete Mains Frequency	Hz	50/60	50/60	50/60	50/60	50/60	50/60	50/60	50/60	50/60	50/60
Potenza assorbita Absorbed power	W	17	17	40	40	40	40	75	75	75	75
Corr.nom.assorb. Absorbed rated current	A	0.24	0.24	0.15	0.15	0.15	0.15	0.60	0.60	0.60	0.60
dB (A) a 2 m dB (A) at 2 m		42	42	50	50	50	50	50	65	65	65
RPM		2250	2250	2320	2320	2320	2320	2750	2750	2750	2750
Portata in aspiraz.libera Rate of flow at free suction	m ³ /h	67	67	230	230	230	230	590	590	590	590
Portata con filtro Rate of flow with filter	m ³ /h	42	42	110	110	85	85	360	360	136	136
Grado di protezione Protection degree		IP44	IP44	IP44	IP44	IP54	IP54	IP44	IP44	IP55	IP55
Materiale griglia Grid material		ABS	acc. inox s/s	ABS	acc. inox s/s	ABS	acc. inox s/s	ABS	acc. inox s/s	ABS	acc. inox s/s

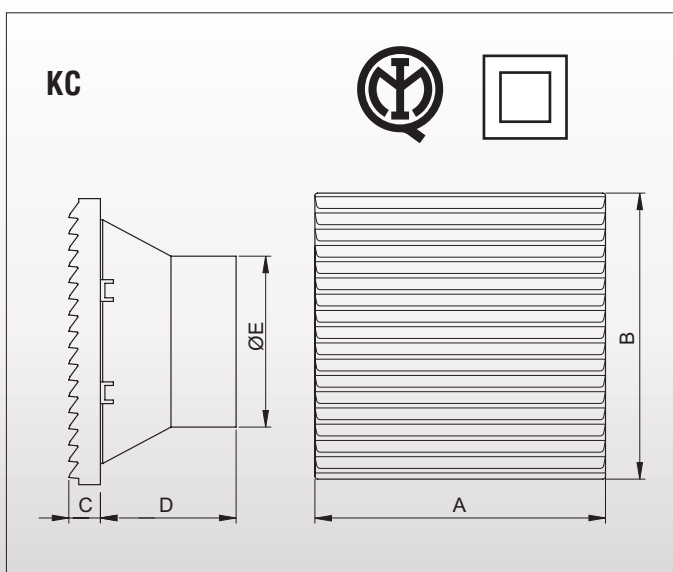
NOTA: Gradi di protezione attestati da una relazione IMQ o INTEC disponibile su richiesta.

ATTENZIONE: i gradi di protezione sono validi per le portate con filtro e non sono riferiti alle portate in aspirazione libera.

NOTE: Protection degrees certified by an IMQ or INTEC report available on request.

ATTENTION: Protection degrees are valid only for rate of flow with filter: they are not referred to rate of flow at free suction.

Dati dimensionali / Dimensions data						
Modello Model	A	B	C	D	ØE	Kg
KC12P/44	130	140	24	74	114	0,6
KC12A/44	130	140	24	74	114	1
KC14P/44-KC14P/54	256	256	29	91	147	1,2
KC14A/44-KC14A/54	256	256	29	91	147	1,9
KC20P/44-KC20P/55	323	322	34	140	204	3
KC20A/44-KC20A/55	323	322	34	140	204	3,9



FILTRI DI RICAMBIO SPARE FILTERS		
Modello Model	Per articolo For article	Grado di protezione Protection degree
KF12/44	KC12P / KC12A	IP44
KF14/44	KC14P / KC14A	IP44
KF14/54	KC14P / KC14A	IP54
KF20/44	KC20P / KC20A	IP44
KF20/55	KC20P / KC20A	IP55